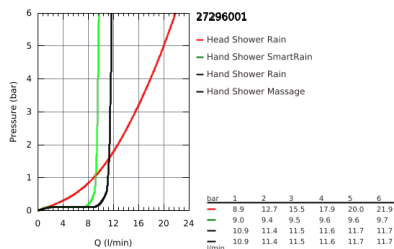
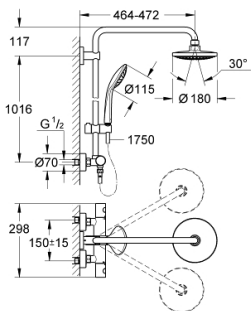


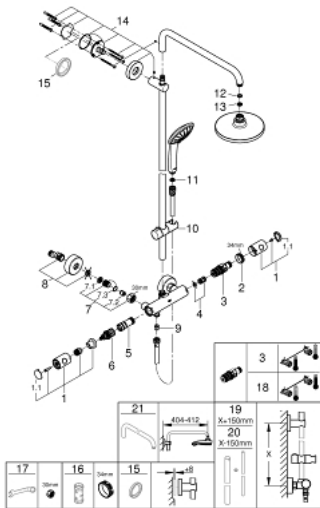
## 27 296 001 EUPHORIA SHOWER SYSTEM SHOWER SYSTEM WITH THERMOSTAT FOR WALL MOUNTING



### PRODUCT DESCRIPTION

- Consisting of:
  - horizontal swivable 450 mm projection shower arm
- **exposed thermostatic shower**
  - with Aquadimmer function
- allows change between:
  - head shower Euphoria Cosmopolitan 180 (27 491 000)
    - Rain spray pattern
  - with ball joint
  - rotation angle  $\pm 15^\circ$
  - hand shower Euphoria 110 Massage (27 221 000)
  - adjustable height via gliding element
  - Silverflex shower hose 1750 mm (28 388 000)
- **GROHE TurboStat** compact cartridge with wax thermoelement
- **GROHE SafeStop** safety button at  $38^\circ\text{C}$  ( calibration required )
- **GROHE SafeStop Plus** optional temperature limiter at  $43^\circ\text{C}$  included
- **GROHE DreamSpray** perfect spray pattern
- **GROHE StarLight** chrome finish
- **SpeedClean** anti-limescale system
- **Inner WaterGuide** for a longer life
- **Twistfree** preventing the hose from twisting
- minimum flow rate 7 l/min.
- optional upgrade: **GROHE EasyReach** tray (26 362)

## 27 296 001 EUPHORIA SHOWER SYSTEM SHOWER SYSTEM WITH THERMOSTAT FOR WALL MOUNTING



### SPARE PARTS

- 1: Metal handle 1/2" (Order-nr. 47984000)
  - 1.1: Cover cap (Order-nr. 6458500M)
  - 2: Fitting ring (Order-nr. 47743000)
  - 3: Thermostatic compact cartridge 1/2" (Order-nr. 47439000)
  - 4: Buffer (Order-nr. 47398000)
  - 5: Water flow (Order-nr. 47751000)
  - 6: Aquadimmer (Order-nr. 12433000)
  - 7: Non-return valve (Order-nr. 47189000)
  - 7.1: Dirt strainer (Order-nr. 0726400M)
  - 7.2: Non-return valve (Order-nr. 08565000)
  - 7.3: O-ring  $\varnothing 17 \times \varnothing 2$  (Order-nr. 0305500M)
  - 8: S-union (Order-nr. 12662000)
  - 9: Non-return valve (Order-nr. 08565000)
  - 10: Glide element (Order-nr. 12140000)
  - 11: Dirt strainer (Order-nr. 0700200M)
  - 12: Fibre seal  $\varnothing 18,5 \times \varnothing 12 \times 2$  (Order-nr. 0138900M)
  - 13: Dirt strainer (Order-nr. 48007000)
  - 14: Shower bar holder (Order-nr. 48279000)
  - 15: Compensation disc (Order-nr. 27180000)\*
  - 16: Socket spanner (Order-nr. 19332000)\*
  - 17: Special spanner (Order-nr. 19377000)\*
  - 18: Thermostatic compact cartridge 1/2" for changed waterways (Order-nr. 47175000)\*
  - 19: Shower system pipe for retrofitting (Order-nr. 48053000)\*
  - 20: Shower system pipe for retrofitting (Order-nr. 48054000)\*
  - 21: Shower arm for shower systems (Order-nr. 14047000)\*
- \* Optional accessories